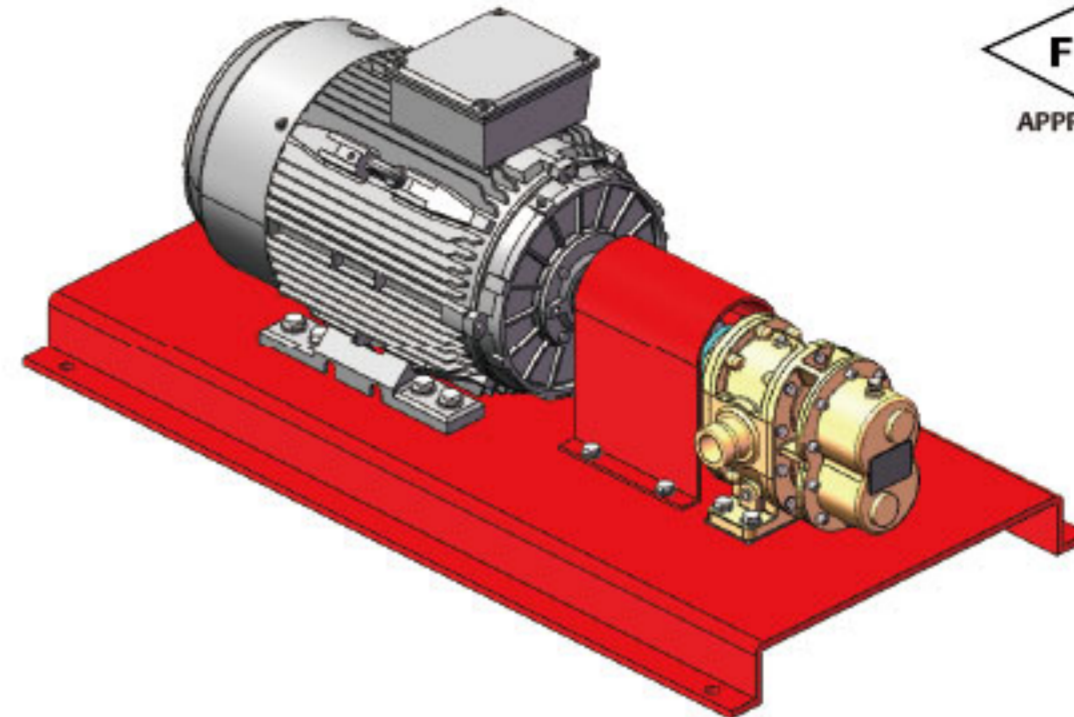


Model G7-93 W/IEC Electric Motor Rotary Gear Pump Unit

Pump Unit Include:

- Model G7-93 Rotary gear pump FM Approved.
- UL listed or Non-listed TEFC Type Electric Motor*.
- Curved Jaw Elastomer Coupling.
- Carbon Steel Coupling Guard RAL3000(standard) or other color on request.
- Carbon Steel Base Plate, RAL3000(standard) or other color on request.

* Junction Box located on top or side of motor



Technical Data:

Speed:	1450RPM
Connection Dia:	DN50(60.3mm O.D)
Connection Type:	Groove, Flange, Thread
Voltage:	380V/3P/50HZ
Enclosure:	IP 56

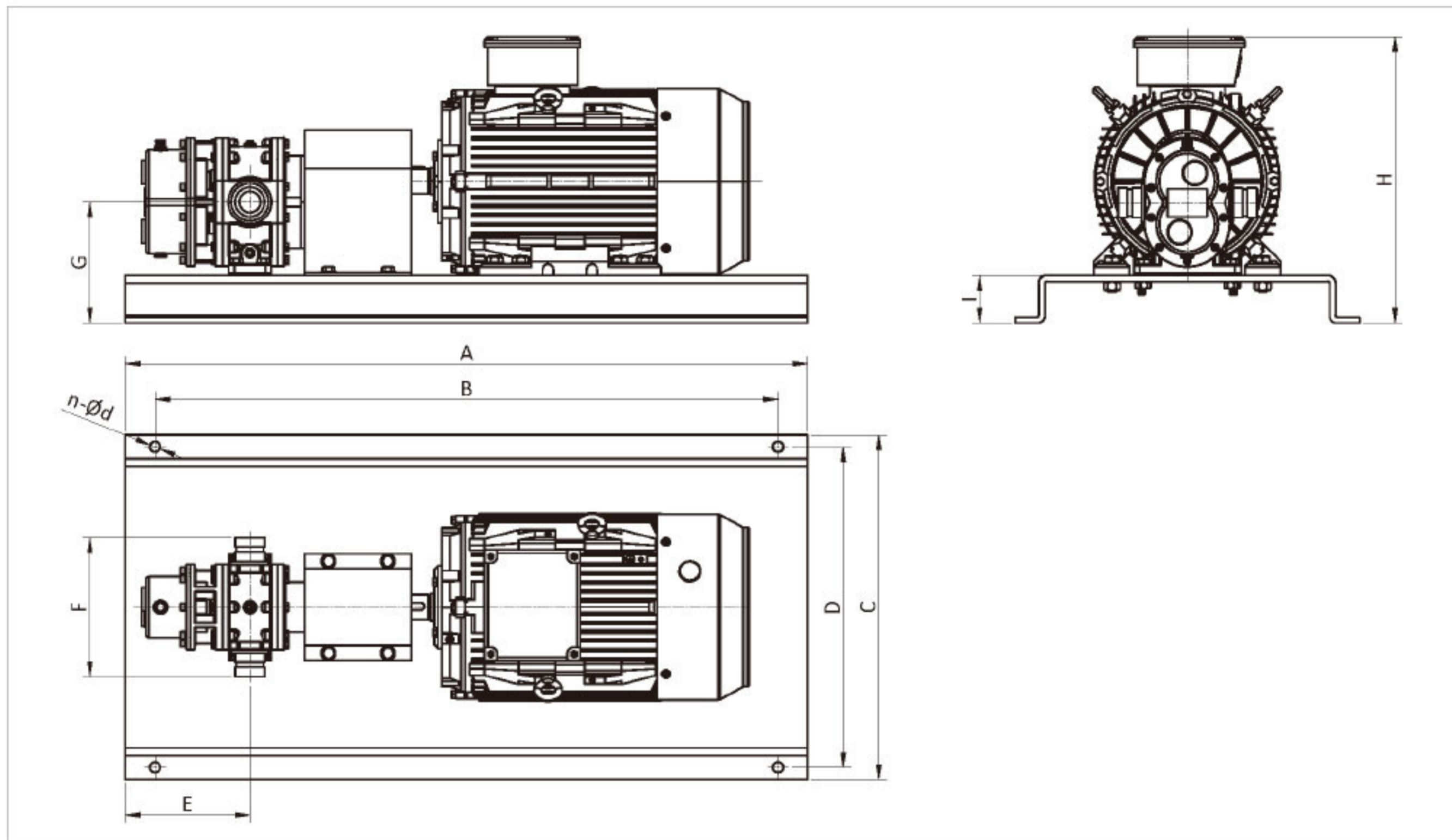
Performance

Speed	G7-93	
1500rpm	Flow Rate (Water)	Power
Pressure	L/min	Kw
BAR	L/min	Kw
5.0	337.6	7.00
5.5	333.2	7.31
6.0	329.0	7.61
6.5	324.9	7.90
7.0	320.9	8.19
7.5	317.1	8.47
8.0	313.4	8.76
8.5	309.9	9.05
9.0	306.6	9.36
9.5	303.4	9.67
10.0	300.4	10.00
10.5	297.7	10.35
11.0	295.1	10.71
11.5	292.7	11.09
12.0	290.4	11.48
12.5	288.4	11.88
13.0	286.4	12.30
13.5	284.6	12.72
14.0	282.9	13.14
14.5	281.3	13.57
15.0	279.8	14.00
15.5	278.4	14.43
16.0	277.1	14.86
16.5	275.8	15.28
17.0	274.5	15.70
17.5	273.3	16.12
18.0	272.1	16.52
18.5	271.0	16.91
19.0	269.8	17.29
19.5	268.6	17.65
20.0	267.3	18.00

Speed	G7-93	
1500rpm	Flow Rate (Foam)	Power
Pressure	L/min	Kw
BAR	L/min	Kw
5.0	363.9	7.00
5.5	361.3	7.25
6.0	358.7	7.51
6.5	356.2	7.78
7.0	353.8	8.07
7.5	351.4	8.36
8.0	349.1	8.66
8.5	346.9	8.98
9.0	344.8	9.31
9.5	342.7	9.65
10.0	340.7	10.00
10.5	338.7	10.36
11.0	336.9	10.74
11.5	335.1	11.13
12.0	333.4	11.52
12.5	331.8	11.92
13.0	330.2	12.33
13.5	328.7	12.74
14.0	327.2	13.16
14.5	325.8	13.58
15.0	324.4	14.00
15.5	323.1	14.42
16.0	321.9	14.84
16.5	320.7	15.26
17.0	319.5	15.67
17.5	318.3	16.08
18.0	317.2	16.48
18.5	316.2	16.87
19.0	315.1	17.26
19.5	314.1	17.64
20.0	313.1	18.00

Model G7-93 W/IEC Electric Motor Rotary Gear Pump Unit

Dimensions



Model	Power	A	B	C	D	E	F	G	H	I	n	d
G7	Kw	mm	mm	mm	mm	mm	mm	mm	mm	mm	-	mm
	7.5	1070	970	500	460	230	236	200	435	80	4	18
	11.0	1170	1070	580	540	230	236	205	484	80	4	18
	15.0	1220	1120	580	540	230	236	205	484	80	4	18
	18.5	1250	1150	630	590	230	236	225	525	80	4	18
	22.0	1290	1190	630	590	230	236	225	525	80	4	18